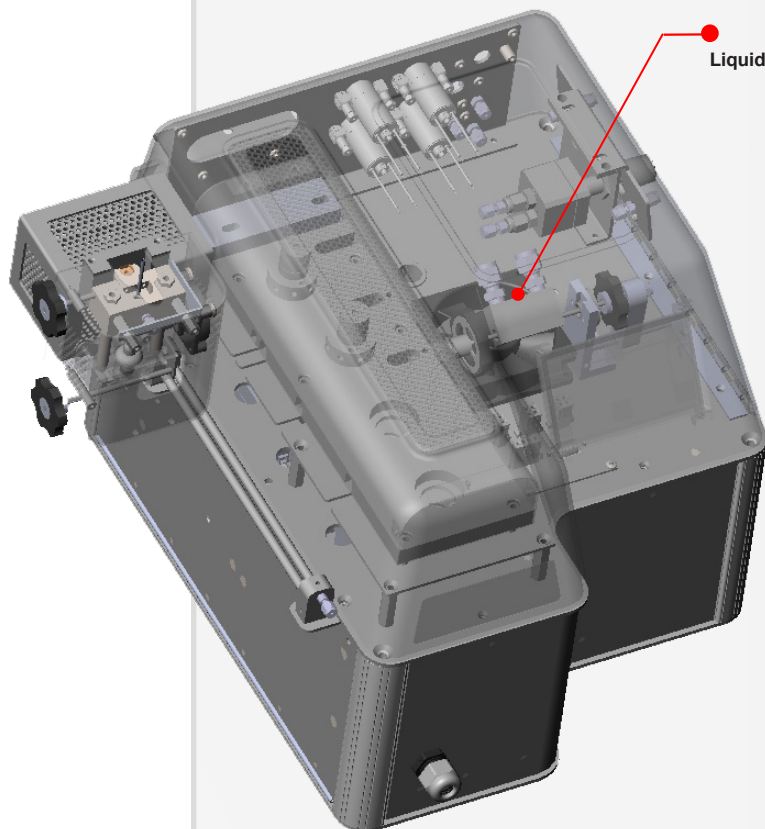


The Liquid Nitrogen Cryotrap cools down the built-in analytical trap in Pyroprobe 6200 as low as -180°C to capture the Very Volatile Organic Compounds (VVOC).

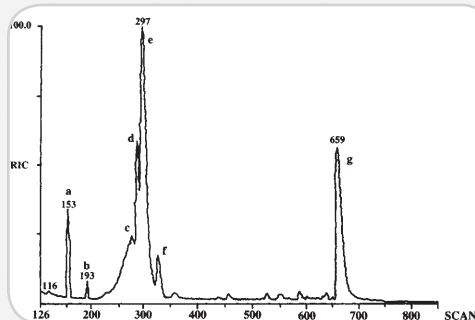


Liquid Nitrogen Cryotrap



The cryotrap is connected directly by a magnetic valve to the liquid nitrogen tank through a thermally insulated line. This direct connection significantly improves the running time of the cryotrap in sub ambient temperature, compared to other systems that require separate liquid nitrogen dewar.

Oxidative decomposition of a polymer by Pyroprobe equipped with cryotrap at -140°C
 (a) carbon dioxide, (b) tetrafluoroethylene, (c) water,
 (d) fluorocarbon, (e) hexafluorocyclobutene, (f)
 perfluoro-1,3-butadiene, (g) phenol



Technical Specifications:

	Liquid Nitrogen Cryotrap
Minimum Temperature	-180°C
Liquid Nitrogen Connection	Direct to the tank
On-off Switch	Yes, magnetic switch