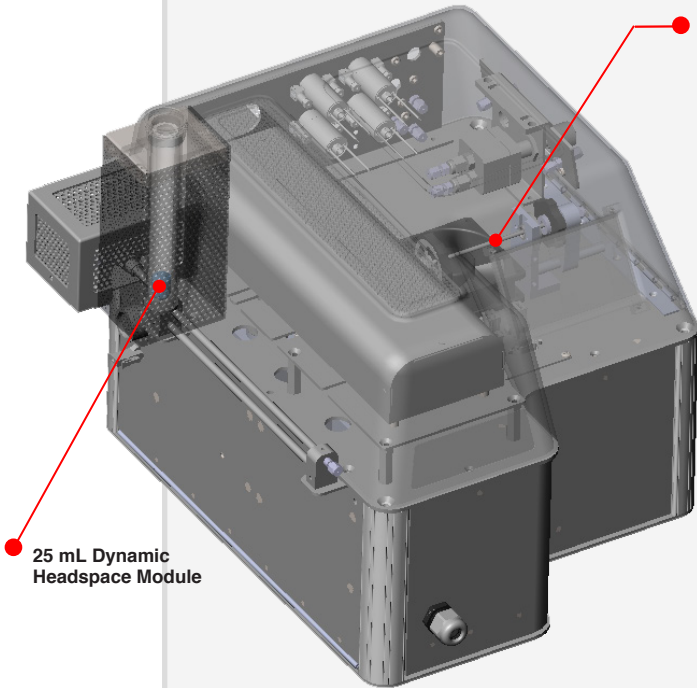


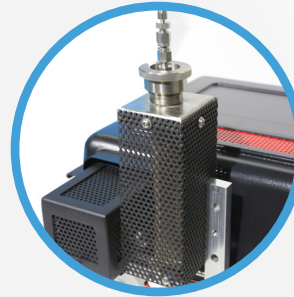
The 25 mL Dynamic Headspace Module adds dynamic headspace sampling capability to Pyroprobe 6200 on samples with volume up to 25 mL. This module extends the sensitivity of the Pyroprobe 6200 to under one ppb level.



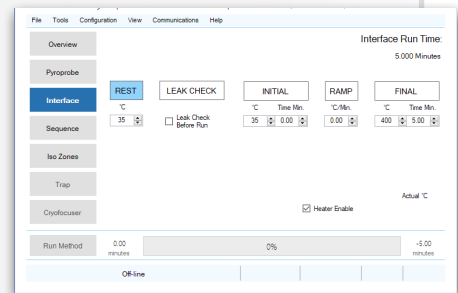
25 mL Dynamic Headspace Module

Capillary Focusing Trap with Pre-heat

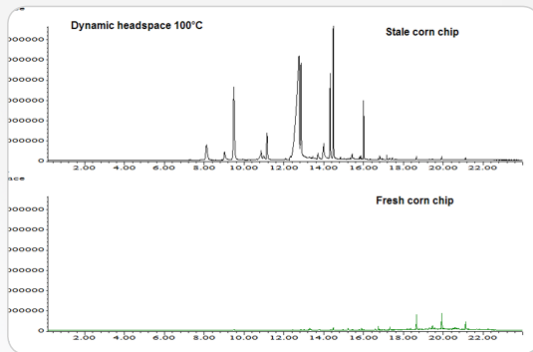
1. Tenax Trap (Standard)
2. Vocarb 3000 Trap (Optional)
3. Cryotrap (Optional)



Place sample in 19 x 150 mm test tube for analysis



25 mL Dynamic Headspace Module Digital Control Interface (DCI)



Stale vs Fresh Corn Chip
Sample Volume: 10 mL
Dynamic Headspace Temp: 100 °C

Technical Specifications:

	25 mL Dynamic Headspace Module
Max Temperature	350 °C
Max Sample Volume	25 mL
Focusing	Pre-heat (Standard) Cryotrap (Optional)
Trap	1/8" Stainless Steel