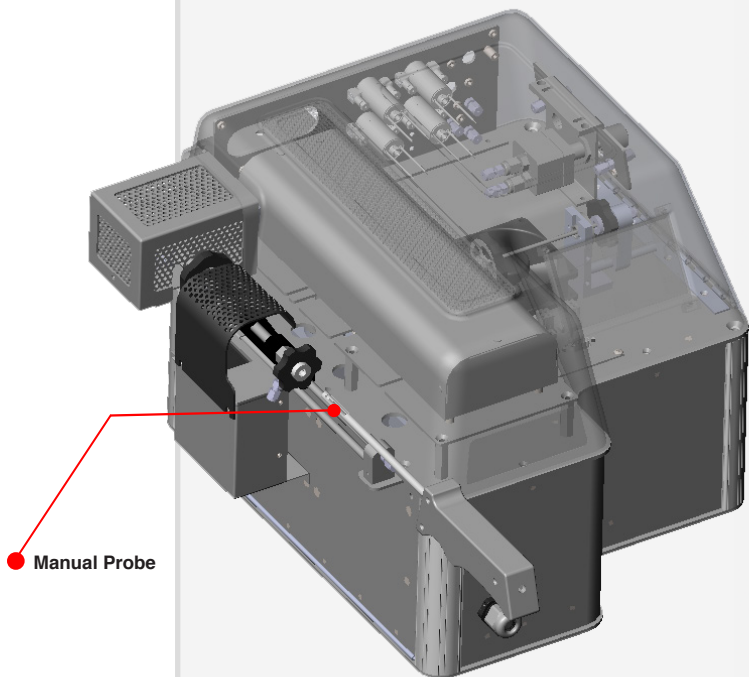


Manual Probe Options are available in a variety of designs and sizes, including a flat ribbon probe where the sample is directly placed on the platinum for maximum heat transfer, a 1/4" coil probe, where samples are inserted into quartz tubes or boats before inserting into the coil filament to compare the data from previous Pyroprobe generations, as well as a 1/2" coil probe, where larger samples up to 350 mg can be analyzed.



. Probes for Every Application

- 1/4" Coil Probe - Best for samples held in reusable quartz tubes or boats
- 1/4" Ribbon Probe - Ideal for film and solvent deposited solids
- 1/2" Coil Probe - Designed for heating oversized samples up to 350 mg



Technical Specifications:

	Manual Probe Option
Max Pyrolysis Temperature	1400 °C
Max Temperature Ramp	20,000 °C/s
Temperature Accuracy	1 °C