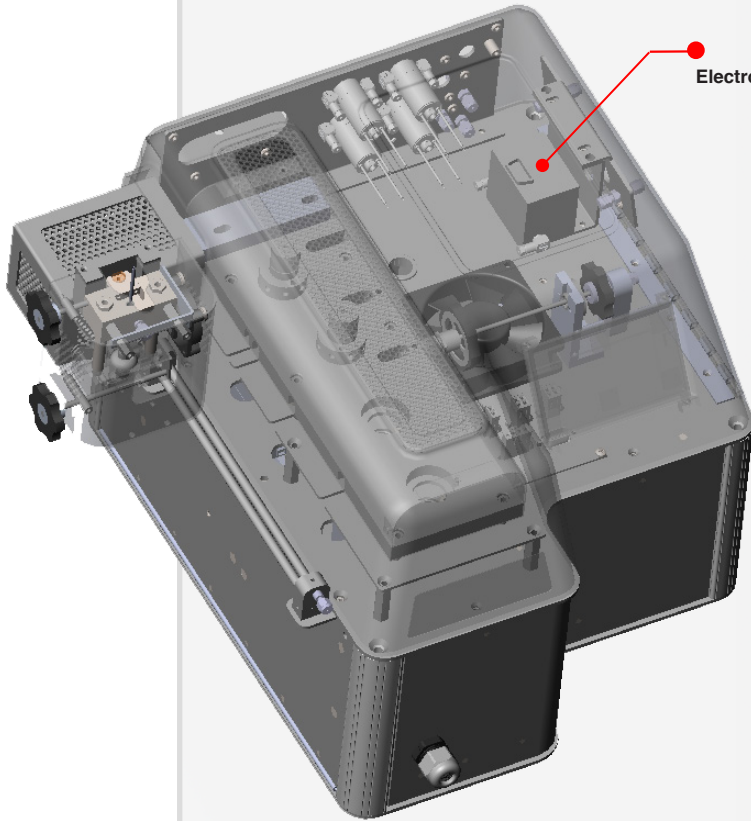
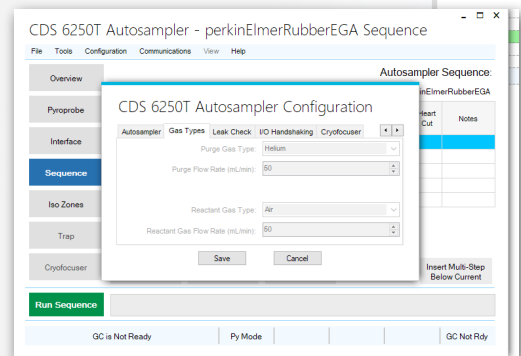
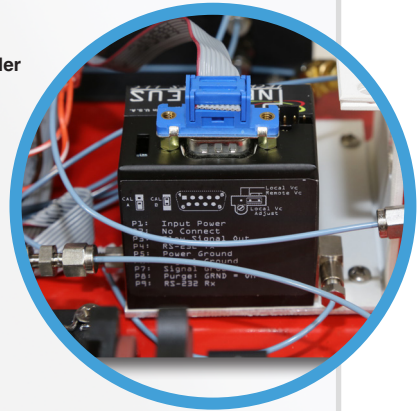


The Electronic Mass Flow Controller provides a way to precisely introduce programmable amount of reactant gas (O<sub>2</sub>, N<sub>2</sub>, He, CO<sub>2</sub>, Air) into the DISC chamber for kinetic studies.



Electronic Mass Flow Controller



Setting tab through Digital Control Interface (DCI)

### Technical Specifications:

	Electronic Mass Flow Controller
Flow Range	0-100 ml/min
Supported Gas	Air, CO <sub>2</sub> , He, H <sub>2</sub> , N <sub>2</sub> , O <sub>2</sub>
Linearity Error	± 1 ml/min
Repeatability	± 0.15 ml/min
Response Time	40 ms
Flow Sensor	Ceramic Flow Tube (non-out gassing)
Temperature Coefficient	0.09% / °C