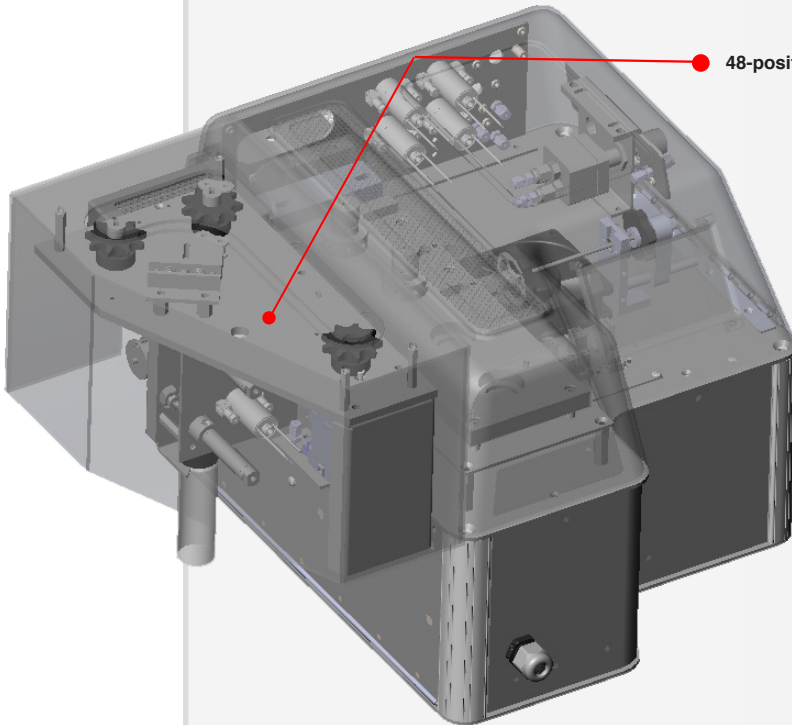


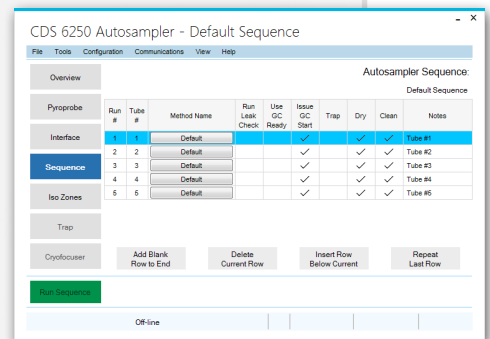
The 6000 Series Autosampler Module provides reliable automated pyrolysis. The autosampler module further opens up the programmable temperature capability from 10 temperature-step per sample to infinite temperature-step per sample. The Dynamic Sequence Table function allows user to add in emergency samples without interrupting scheduled samples.



● 48-position Autosampler Module



The Dynamic Sequence Table significantly increased the productivity on running large amount of samples by (1) Adding additional samples without interrupting existing samples, (2) Inserting emergency sample without stopping scheduled samples.



Dynamic Sequence Table Interface

Technical Specifications:

	6000 Autosampler
Compatibility	6150 and 6200
Sample Position	48
Reliability	<one error per 5,000 samples
Programmable Temp. Per Sample	Infinite
Dynamic Sequence Table	Yes
Mount	On the side of pyrolyzer
Sample Loading/Unloading	Gravity